


CEDAR CREEK
ENGINEERING

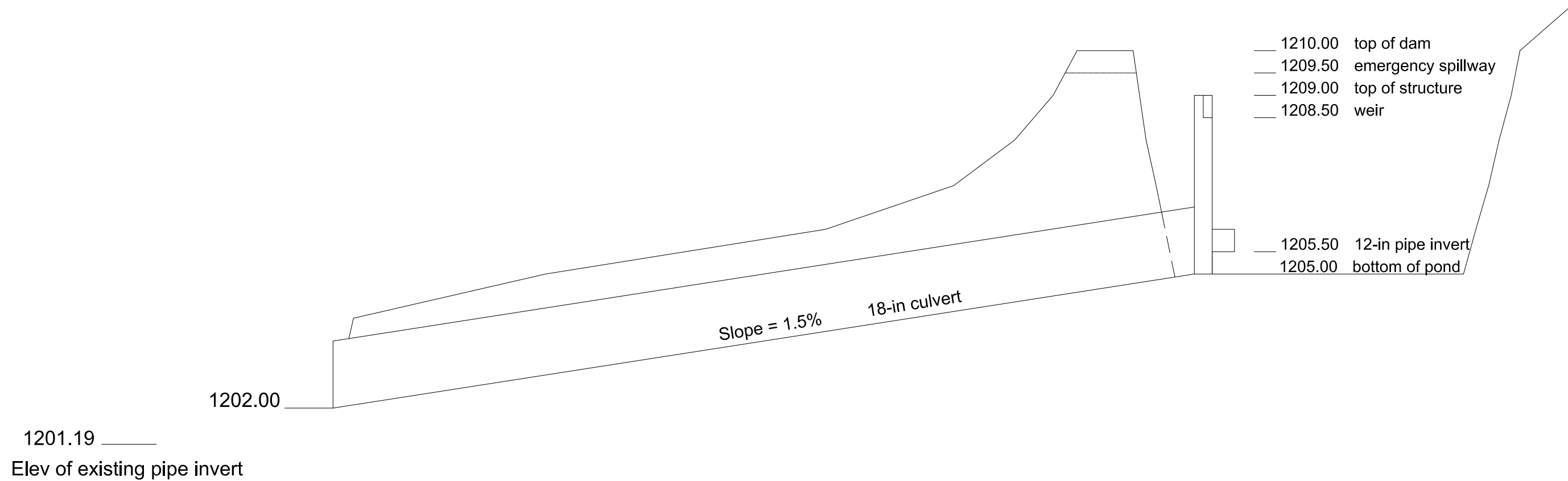
Winchester, Kentucky

Robinson Stave Company
1812 HWY 3434
East Bernstadt, KY

New Cooperage Pond

Drawing Date: 5NOV19

Drafted by: PR



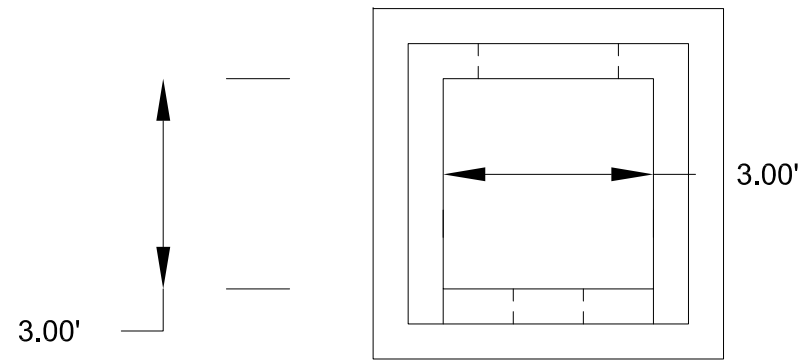
Winchester, Kentucky

Robinson Stave Company
1812 HWY 3434
East Bernstadt, KY

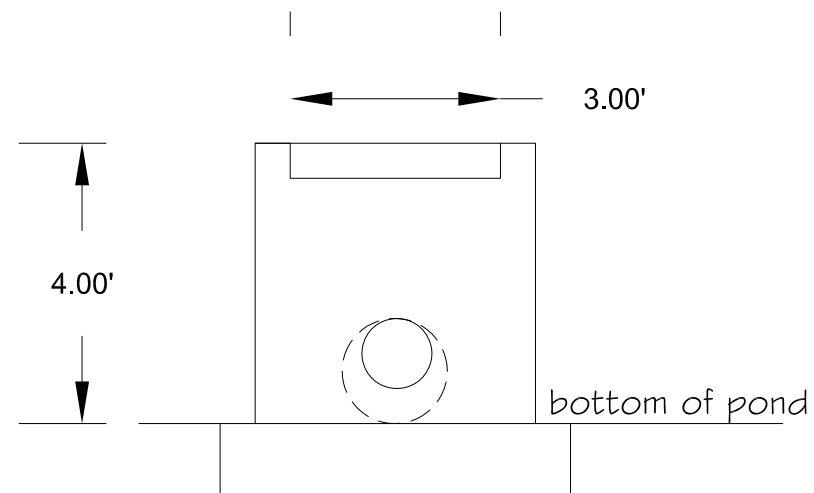
Elevations

Drawing Date: 5NOV19

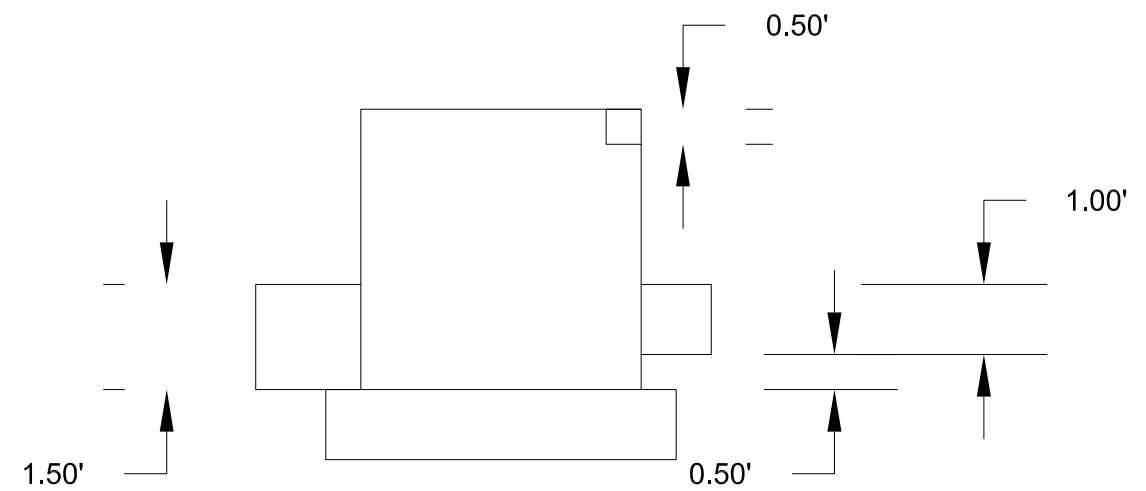
Drafted by: PR



Plan View



Side View



Side View



Winchester, Kentucky

Robinson Stave Company
 1812 HWY 3434
 East Bernstadt, KY

Outlet Structure

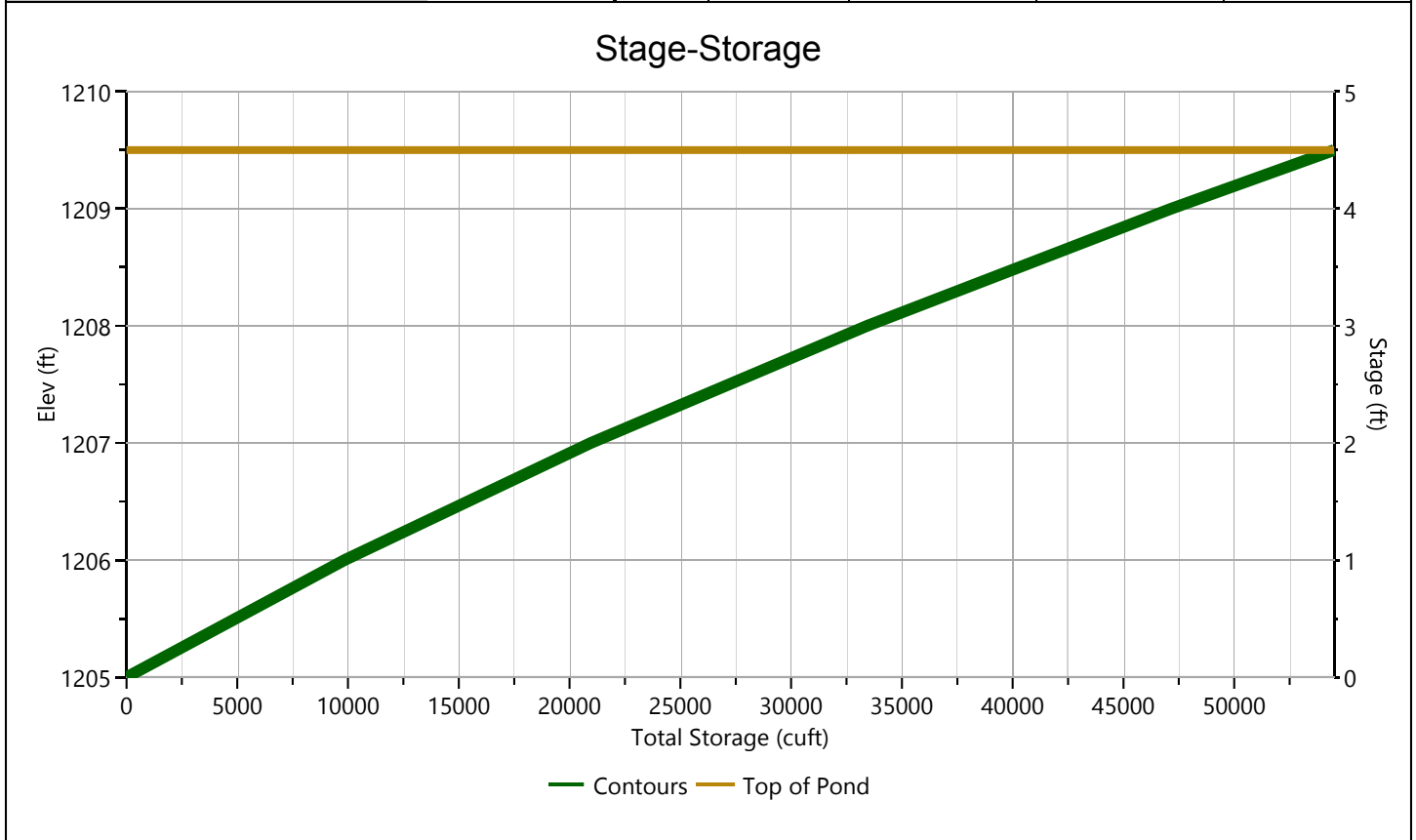
Drawing Date: 5NOV19

Drafted by: PR

Pond 4

Stage-Storage

User Defined Contours		Stage / Storage Table				
Description	Input	Stage (ft)	Elevation (ft)	Contour Area (sqft)	Incr. Storage (cuft)	Total Storage (cuft)
Bottom Elevation, ft	1205.00	0.00	1205.00	9,389	0.000	0.000
Voids (%)	100.00	1.00	1206.00	10,314	9,852	9,852
Volume Calc	Ave End Area	2.00	1207.00	11,913	11,114	20,965
		3.00	1208.00	13,019	12,466	33,431
		4.00	1209.00	14,411	13,715	47,146
		4.50	1209.50	15,034	7,361	54,507



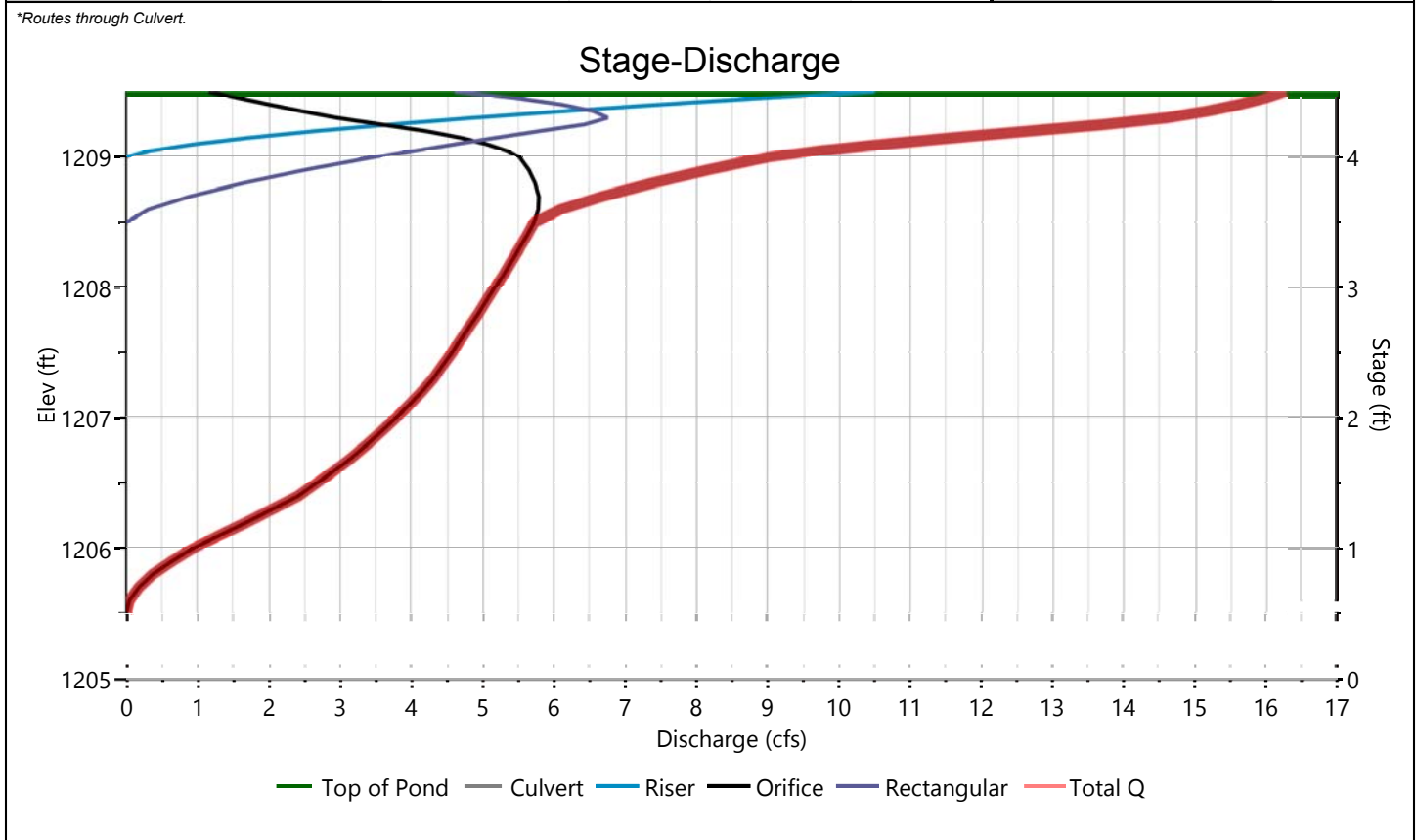
Pond Report

Pond 4

Stage-Discharge

Culvert / Orifices	Culvert	Orifices			Orifice Plate
		1*	2	3	
Rise, in	18	12			Orifice Dia, in
Span, in	18	12			No. Orifices
No. Barrels	1	1			Invert Elevation, ft
Invert Elevation, ft	1205.00	1205.50			Height, ft
Orifice Coefficient, Co	0.60	0.60			Orifice Coefficient, Co
Length, ft	200				
Barrel Slope, %	2				
N-Value, n	0.013				
Weirs	Riser*	Weirs			Ancillary
Shape / Type	Box	Rectangular			Exfiltration, in/hr
Crest Elevation, ft	1209	1208.5			
Crest Length, ft	9	3			
Angle, deg					
Weir Coefficient, Cw	3.3	3.3			

*Routes through Culvert.





Philpot Enterprises, LLC
Excavating Contractors
438 Farris Road
London KY 40744

Estimate

DATE	ESTIMATE NO.
8/27/2019	1688

NAME / ADDRESS
Robinson Stave LLC

PROJECT
New Cooperag...

DESCRIPTION	TOTAL
We Propose to Furnish Equipment , Labor , & Materials as listed.	0.00
ENGINEERING & LAYOUT ; L.S.	1,500.00
EROSION CONTROL ; L.S.	2,500.00
MASS EXCAVATION ; CUT ; C.Y.	23,400.00
MASS EXCAVATION ; FILL ; C.Y.	8,950.00
MASS EXCAVATION ; WASTE FILL OFFSITE ; C.Y.	9,900.00
RIP-RAP STONE ; TONS ; Ditch Above New Pond	15,750.00
18" ADS or HDPE STORM SEWER ; L.F.	7,600.00
12" ADS or HDPE STORM SEWER ; L.F.	700.00
Pond Outlet Structure ;	3,500.00
Seeding ; L.S.	4,500.00
RIP-RAP Dam In Log yard pond STONE ; TONS ;	1,750.00
TOTAL \$80,050.00	

Phone #
606-864-5268

E-mail
Jim@philpotllc.com